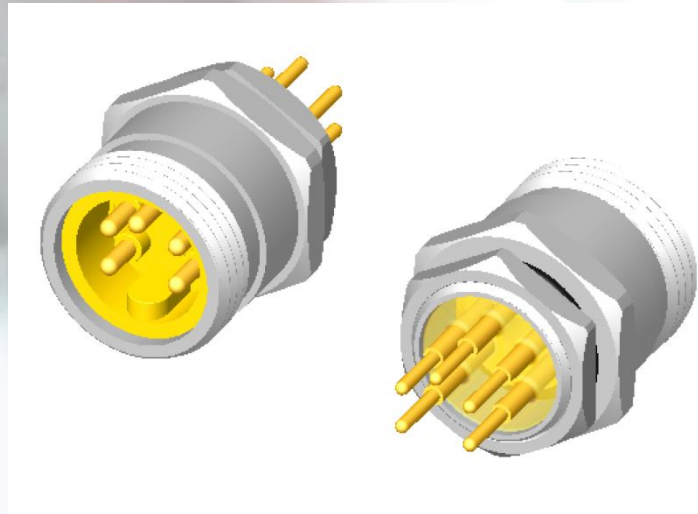
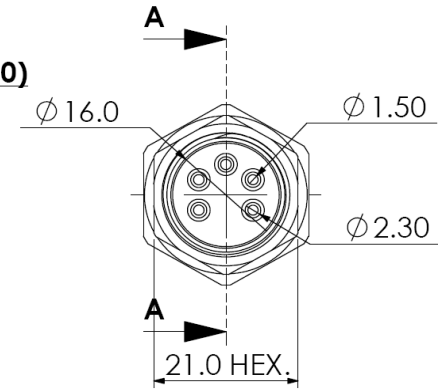
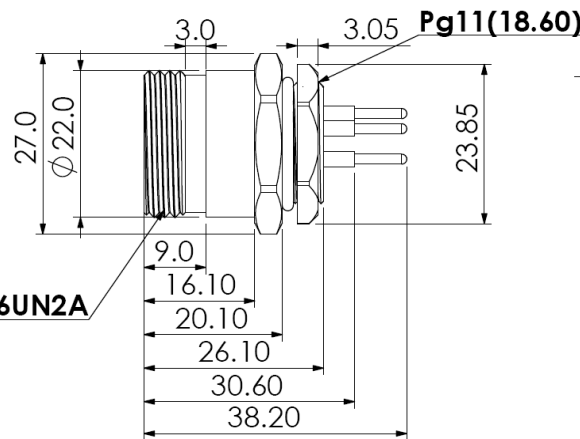
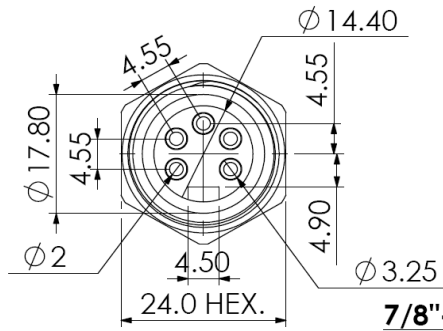
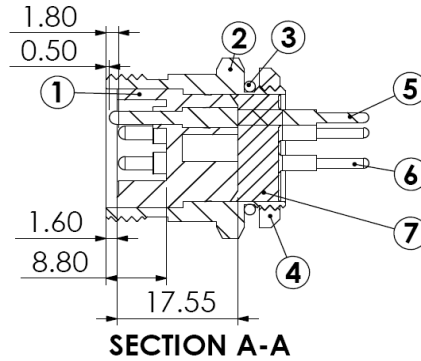
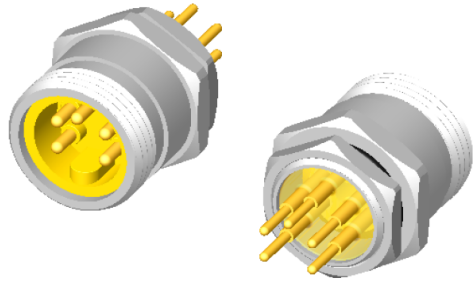


WATERPROOF CONNECTORS

- **IP67 M22 MALE SOCKETS**
- **5.6 PINS**
- **PANEL MOUNT**
- **WP2205PPR**
- **WP2206PPR**





No.	Description	Material	Treat	Q'ty
1	Housing	Thermoplastic	UL94V-0 Yellow	1
2	Shield Cover	Brass	Nickel Ptd.	1
3	Seal Ring	NBR		1
4	Screw Nut	Brass	Nickel Ptd.	1
5	Terminal 1	Brass	Gold Ptd.	1
6	Terminal 2	Brass	Gold Ptd.	4
7	YGlue	3M		1

SPECIFICATION :
CURRENT : 12A
OPERATING TEMPERATURE : -50°C TO 105°C
INSULATION RESISTANCE : 1000MΩ min.
DIELECTRIC STRENGTH : 500V AC min.

俞昌有限公司
YEU TSANG CO. LTD.

品名: **5P M22 WATER TIGHT PLUG**
 ITEM : **PANEL MOUNT**
 料號: **WP2205PPR**
 PART NO:

圖號:
 DRW NO.



一般公差
 .X +/-0.25
 .XX +/-0.10

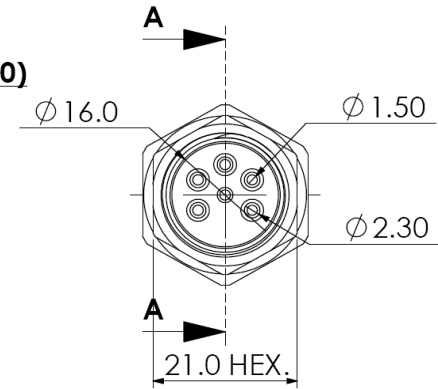
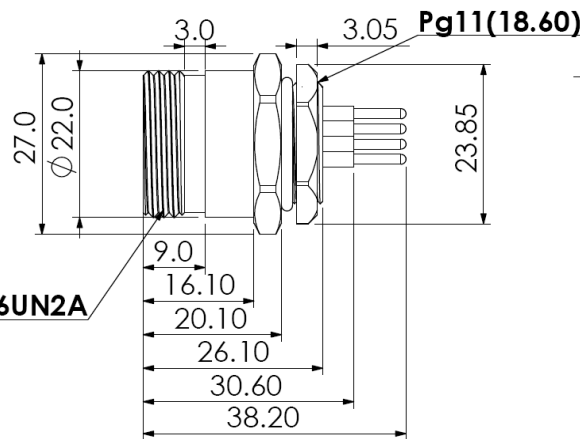
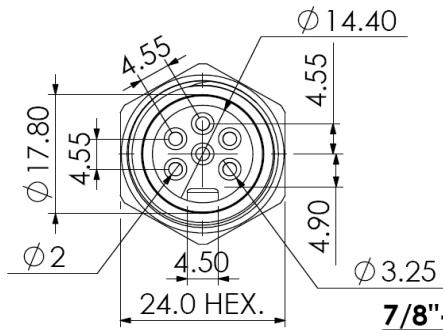
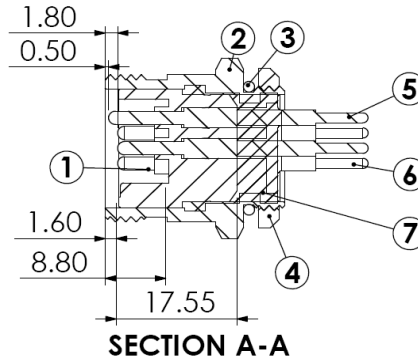
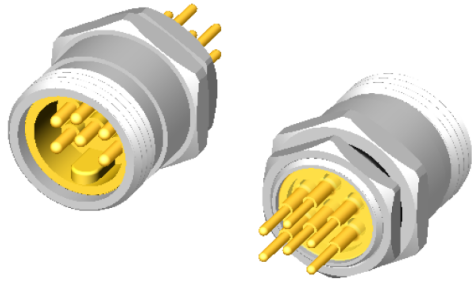
SHEET:
 1
 1

單位: mm
 unit: mm
 比例: 1 : 1
 scale:

日期: '08/03/26
 date:
 版本: V. 1.0
 version:

繪圖: DanielShyr
 drwn by:

核准: SkyShyr
 aprvd by:



No.	Description	Material	Treat	Q'ty
1	Housing	Thermoplastic	UL94V-0 Yellow	1
2	Shield Cover	Brass	Nickel Ptd.	1
3	Seal Ring	NBR		1
4	Screw Nut	Brass	Nickel Ptd.	1
5	Terminal 1	Brass	Gold Ptd.	1
6	Terminal 2	Brass	Gold Ptd.	5
7	YGlue	3M		1

SPECIFICATION :
CURRENT : 12A
OPERATING TEMPERATURE : -50°C TO 105°C
INSULATION RESISTANCE : 1000MΩ min.
DIELECTRIC STRENGTH : 500V AC min.

俞昌有限公司
YEU TSANG CO. LTD.

品名: **6P M22 WATER TIGHT PLUG**
 ITEM : **PANEL MOUNT**
 料號: **WP2206PPR**
 PART NO.

圖號:
 DRW NO.



一般公差
 .X +/-0.25
 .XX +/-0.10

SHEET:
 1
 1

單位:
 unit: mm
 比例:
 scale: 1 : 1

日期:
 date: '08/03/26
 版本:
 version: V. 1.0

繪圖:
 drwn by: DanielShyr
 核准:
 aprvd by: SkyShyr